

Product Description

SPECIFICATIONS

4-season safety cover that complies with the **AFNOR regulation NF P90-308 December 2013**



- Manipulation :**
 - Portable control box equipped with 2 batteries 12V 5,5 Ah
 - Independent charger to plug into an electrical outlet 220 V
 - Ratchet spanner only in case of an electrical failure



- Membrane :** PVC pre-stressed membrane
- Belt :** Polyurethane with stainless steel cables



- Mechanical :** All the metallic parts involved in the security are in anodized aluminium and 316 stainless steel

- Rails :** Anodized aluminium

- Casing :** Polyester powder-coated aluminium, matt finished of **Ral colour 7037** (standard)

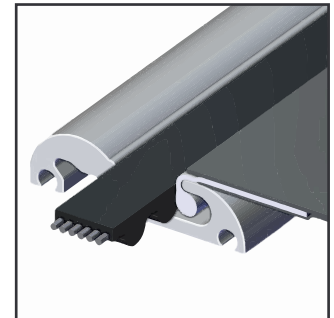
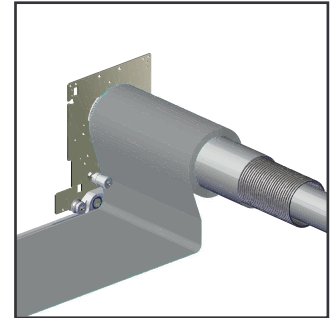


- Length :** min 2 meters -> max 24 meters



- Width :** min 2 meters -> max 8,5 meters (depending on the length of the cover)¹

- Speed :** Closing/opening time : 60 seconds for a length of 13 meters



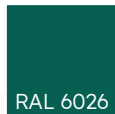
AVAILABLE COLOURS OF THE MEMBRANE



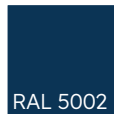
Light Grey



Dust Grey



Opal Green



Ultramarine Blue



Sky Blue



Light Ivory



Pure Black



AVAILABLE OPTIONS

- All-terrain rail (RTT) 72,0 mm x 10,6 mm (unregular surface or low density)
- The casing is available in all RAL K7 Classic paints except for fluo and metallic paints.
- Mechanical closing sensor
- «Champagne color rail» (Only standard rail)

MEASURES (in mm)

